

□□

□□□	□□□ □□ □□ □□ □ □□□
□□	□□□/□□□□□
□□	1700*3600*2600mm
□□	□□□ 10□ □□
□□□	□□ □□, □□ □□ □□/□□ □□
□□	□□ □□□
MOQ	10 □□
OEM/ODM	□□

□□□ □□ □□□, □□□ □□□□ □□□ □□ □□ □□□□□ □□□ □□, □□□□□ □□□□ □□ □□□ □□ □□□□ □□□ □□□ □□□□□.

□□□ □□□ □□□ □□ □□□ □□□ □□□ □□□□□ □□ □ □□□ □□□.

□□ □ □□

- □□□ □□ □□□ □□□ □□□ □ □□□□□.
- □□□, □□□, □□ □ □□□□ □□□ □ □□□ □□ □□□ □□□□□. □□□ □□ □□□ □□ □□□□, □□, □□□ □□ □□ □□ □□□ □□ □□□ □□□ □□□□.
- □□ □□□□□ □□□ □□□ □□ □□□ □□□□ □□□□ □□□□ □□□ □□□ □□ □□□ □ □□ □□□□.

□□:

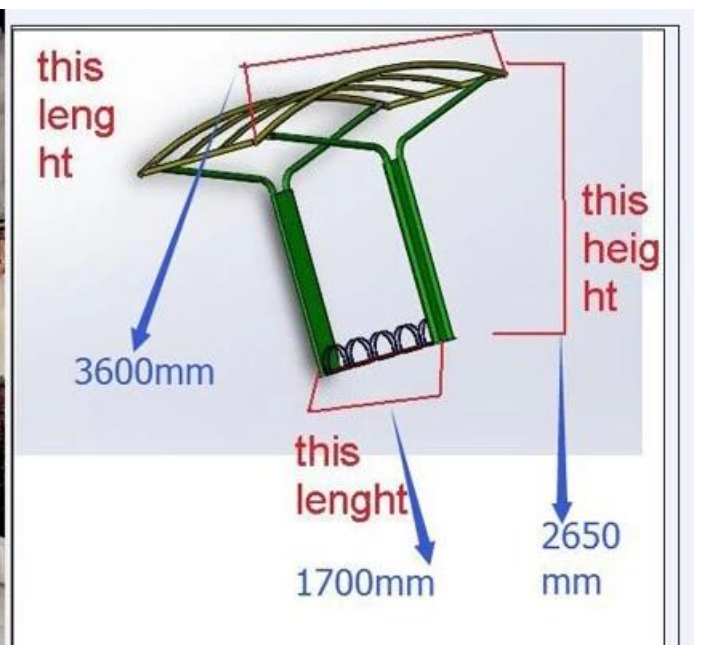
□□ □□

"□□□ □□□□□ □□ □□□ □□□□□." □□ □□ □ □□□□□□. "□□" □ □□□□□□□□□. □□□ Suzhou Pioneer □□ □□ □□□ □□□□□. 3□□ □□□ 5□ □ □□□ □□ □□□□ □□□□ □. □□□ □□□□□ □□ □□□□□ □□ □□ □□□□□. □□□ □□□ □□□ □ □□□ □□ □□□ □□□ □□□ □□□□□?

□□ □□ □□

Suzhou Pioneer Co., inmaterials arants. .

Part No	Part Name	parts specification	quantity (pc)
1	Flange	∅300*t6	2
2	reinforcing plate	100*70*t5	4
3	connecting plate	20*80*t5	16
4	mainboard	250*1800*t3	2
5	stand column	∅60*t3	4
6	Liang support circular tube	∅100*t3	2
7	Liang square tube in the middle	∅40*t2.5	2
8	Liang lateral bracing tube	∅50*t2.5	2
9	connecting plate	100*200*t5	2
			4
PV-5C bike rack mate	Size :W140*D30*H26CM Squaretube:30*30*2mm , Round Rube:16*1.5mm . Net weight:7.1Kg	Size :W140*D30*H26CM Squaretube:30*30*2mm , Round Rube:16*1.5mm . Net weight:7.1Kg	
surface treatment	hot galvanized and powder coating		



Packing

