

Description

Product Name	galvanized new style bike shelter
Material	carbon steel/stainless steel
Size	1700*3600*2600mm
Capacity	10 bikes or more
Finish	Powder coated ,hot-galvanized/electric polish
Packing	Iron frame
MOQ	10 Sets
OEM/ODM	offered

The visibility of the bike rack, adequate spacing from automobile parking and pedestrian traffic weather coverage, and proximity to destinations are all important factors determining usefulness of a bicycle rack. These factors will help increase usage of the bike rack and assure cyclists their bike is securely parked

Features & Benefits

Bike racks can be constructed from a number of different materials Durability, weather resistance, appearance, and functionality are extremely important variables of the material of the bike rack bike racks can be implemented near fast food restaurants, parks, picnic areas or other similar places The most effective and secure bike racks are those that can secure both wheels and the frame of the bicycle, using a bicycle lock

Warranty:



Lifetime Warranty

When we say "We bring the power of cycling to life, we mean it". Talk's cheap. That's why you'll see lifetime warranties on our Suzhou Pioneer racks. Not three years, not five, but for as long as the original buyer owns it. Because we firmly believe that cycling is a lifetime sport. So why settle for anything less from the equipment that helps you enjoy it.

Official Warranty Term

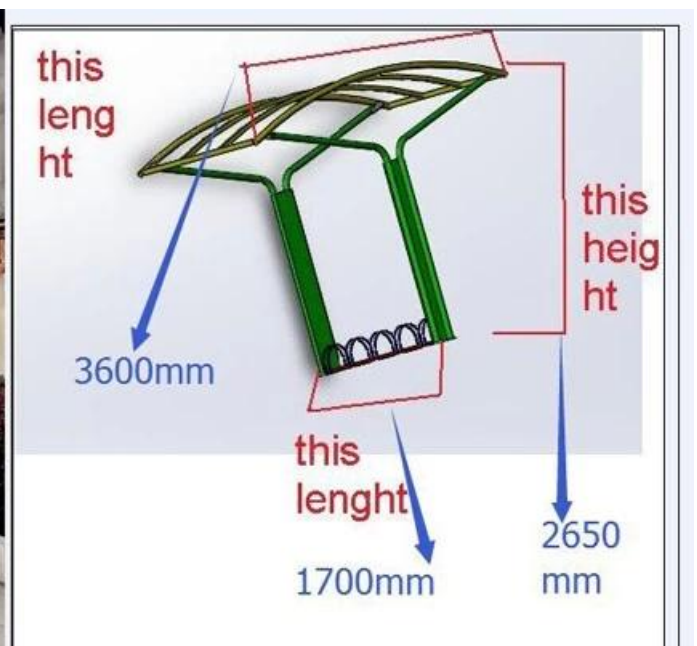
Suzhou Pioneer vehicle Co.,Ltd, arrants our product to the original consumer to be free from defects inm aterials and workmanship. Please retain your sales slip for your records as proof of purchase will be required.Having a [bike rack](#) is one of the easiest ways to organise your bikes. It will make it easier to find them when you need them, and it will also prevent your bikes from getting damaged.

Warranty Term

Auto Racks: As long as you own product.

We are looking forward to cooperation with you!

Any inquiry is welcome!



Packing

